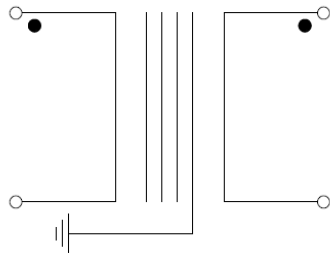
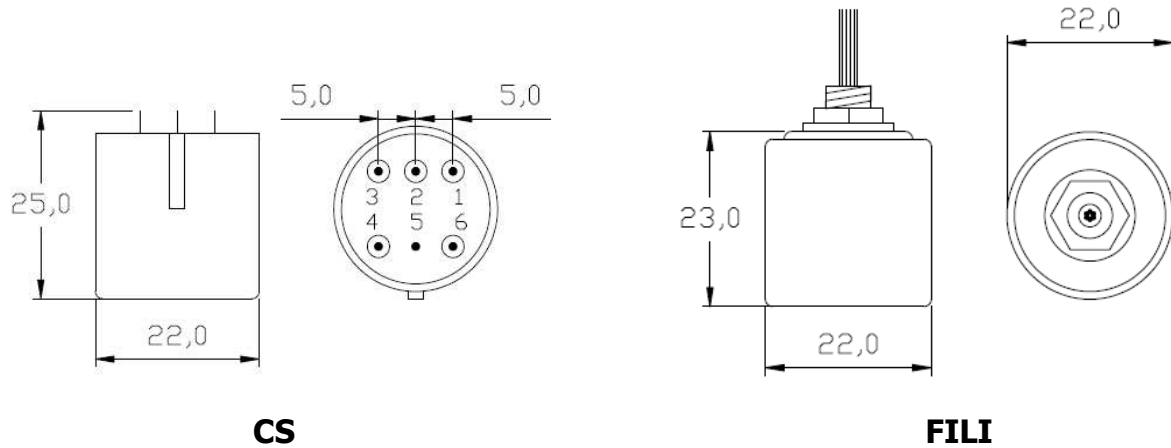


## INPUT HI-FI TRANSFORMERS



**Reference regulations:** EN 60065 (CEI 92-1)

**Protection index:** IP00

**Ambient temperature:** 35°C

**Thermal insulation class:** B (130°C)

**Material:** mu-metal FeNi 82%

**Realization:** shielding between the windings

**Insulation:** 500.V

MODEL	RATIO	IMPEDANCE Pri (K $\Omega$ )	IMPEDANCE Sec ( $\Omega$ )	PRIMARY (mV)	RESPONSE (-0,5 dB)	Rp ( $\Omega$ )	Rs ( $\Omega$ )	Lp (H)	Ls (H)	WEIGHT (g)
TM-1CS	1:1	600	600	500	20÷35KHz	120	155	3	3	30
TM-2CS	1:2,88	600	5k	500	20÷35KHz	165	530	2	17	30
TM-3CS	1:4,25	600	10k	500	20÷35KHz	150	830	2	35	30
TM-4CS	1:5,75	600	20k	500	20÷35KHz	203	1550	1,8	61	30
TM-5CS	1:9,12	600	50k	500	20÷35KHz	150	1900	0,9	71	30
TM-6CS	1:1	250	250	100	20÷35KHz	37	46	0,8	0,8	30
TM-7CS	1:14	250	50k	100	20÷35KHz	76	2000	0,4	83	30
TM-1F	1:1	600	600	500	20÷35KHz	120	155	3	3	30
TM-2F	1:2,88	600	5k	500	20÷35KHz	165	530	2	17	30
TM-3F	1:4,25	600	10k	500	20÷35KHz	150	830	2	35	30
TM-4F	1:5,75	600	20k	500	20÷35KHz	203	1550	1,8	61	30
TM-5F	1:9,12	600	50k	500	20÷35KHz	150	1900	0,9	71	30
TM-6F	1:1	250	250	100	20÷35KHz	37	46	0,8	0,8	30
TM-7F	1:14	250	50k	100	20÷35KHz	76	2000	0,4	83	30

The input Hi-Fi transformers are made according to the European standards EN 60065 CEI 92-1.

They are impedance adapters that optimize the transmission of low-level signals from mixers, amplifiers, MC heads and microphones. They adapt the primary impedances ( $Z$  in) and secondary impedances ( $Z$  out) to improve, even in an unbalanced and balanced configuration, the sound quality, excluding interferences and buzzes deriving from the masses.

Their construction is characterized by the separation of the windings and the use of precious material in mu-metal.

Our products are entirely realised in Italy with first choice raw materials strictly selected in order to guarantee the best quality and safety.

**Our Technical Department is qualified and prepared to satisfy all kind of demands including tailor made requests.**